

GSM / 3G Antenna

Ct-GSM03



Specifications Sheet

Part No.: 3-6068-003R000

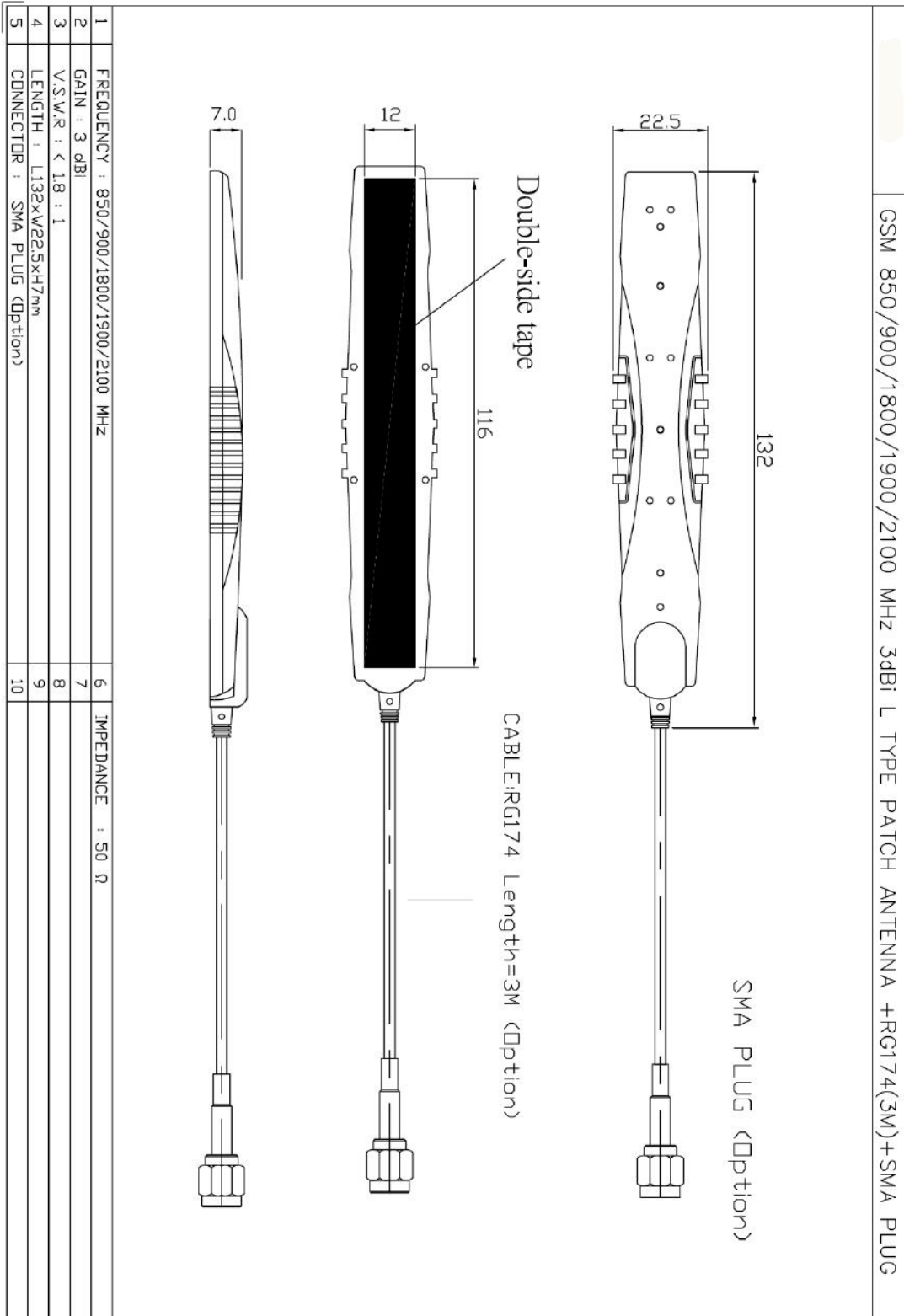
Feature :

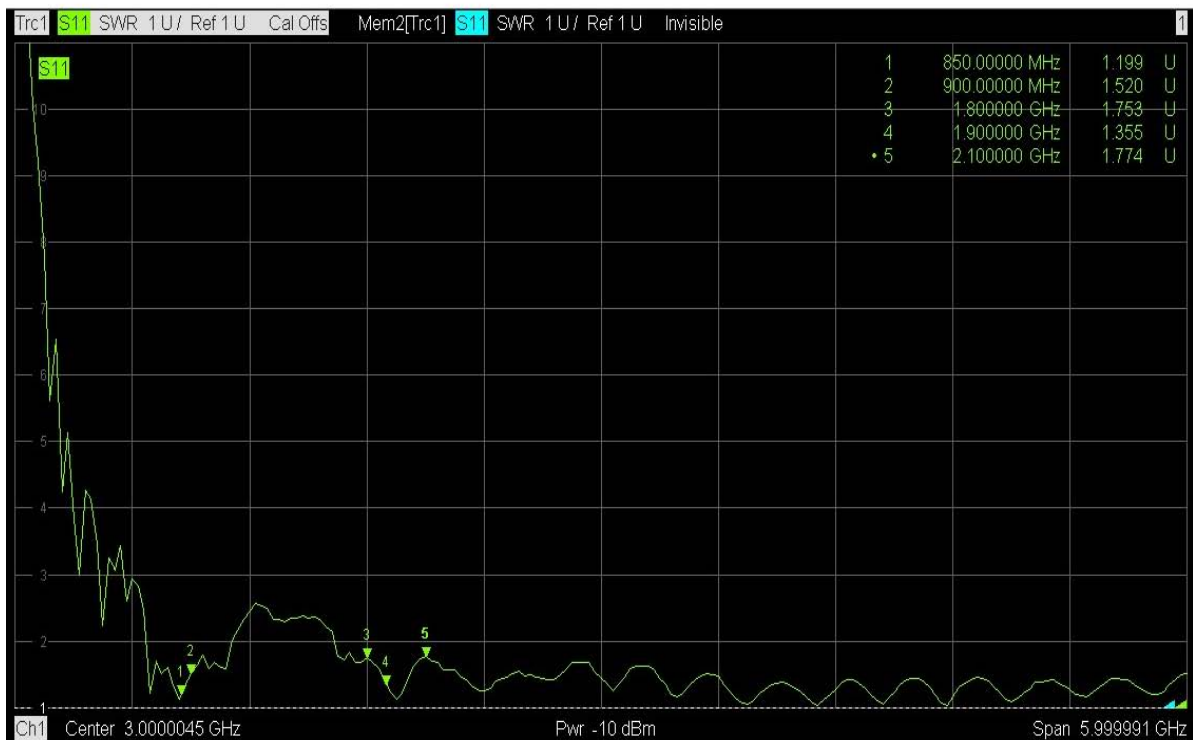
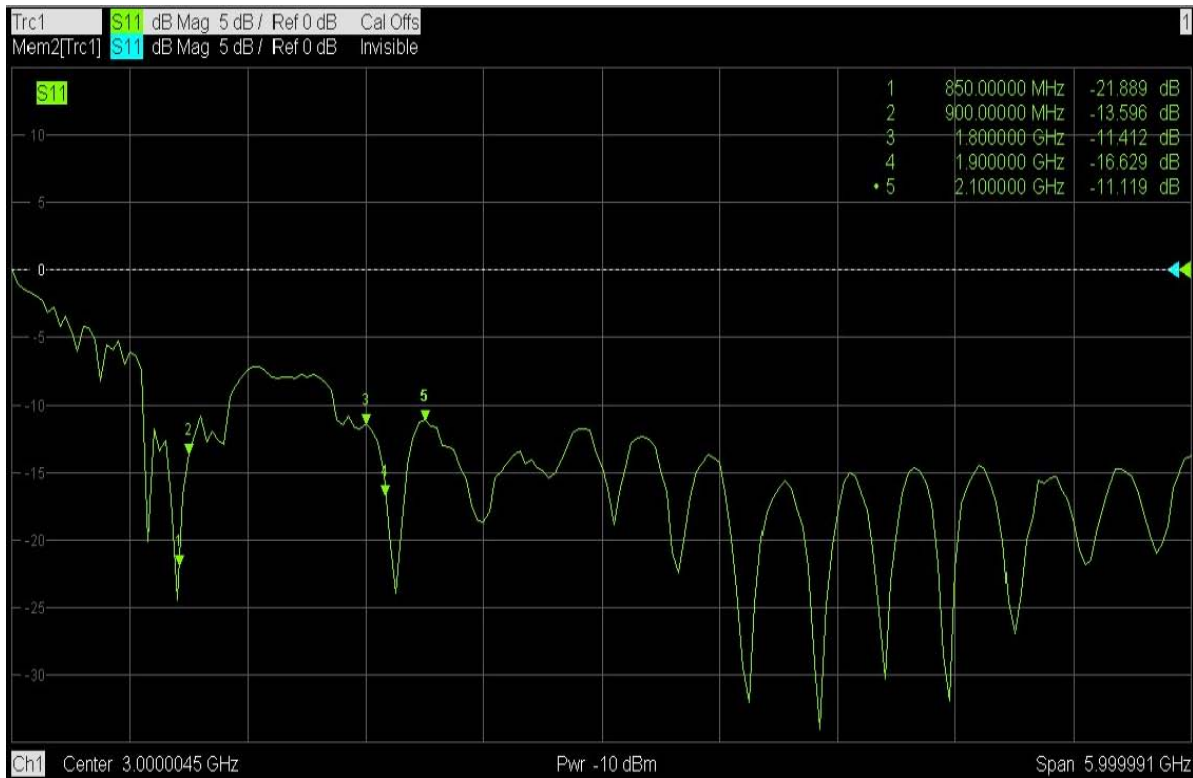
Global System for Mobile Communication
850/900/1800/1900/2100 MHz phone antenna,
Broadband design for GSM/UMTS/WCDMA systems

GSM 850/900/1800/1900/2100 MHz 3dBi L TYPE PATCH ANTENNA
+RG174(3M)+SMA PLUG

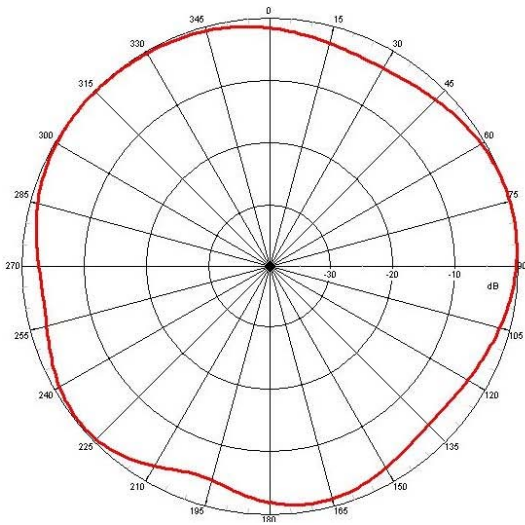
Specification

Frequency	850/900/1800/1900/2100 MHz
Antenna Type	Rectangle Patch antenna
Mounting	Double-side tape
Gain	3 dBi
VSWR	≤ 1.8
Power	10 Watts
Impedance	50 ohms
Polarization	Vertical
Antenna Connector	SMA PLUG (Option)
Cable Length	RG174 Length=3M , 5M (Option)
Dimensions	L132xW22.5xH7mm





H-PLANE



E-PLANE

